

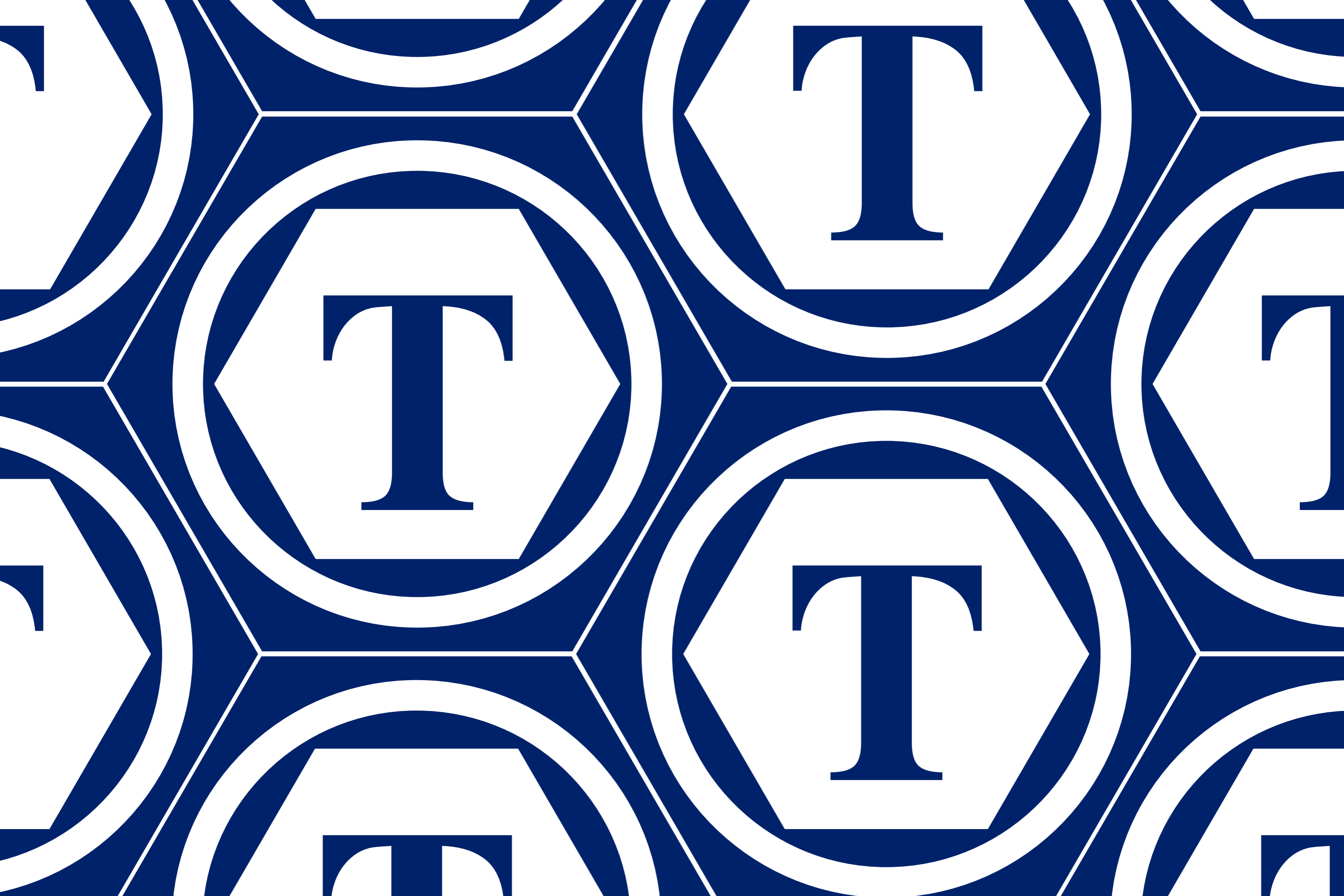
# The company

We are so much  
more than bolts

Headquarters and Distribution Center 1: 12 Archimidous str, Tavros, Athens, 177 78  
T: +30 210 4821368, Distribution Center 2: Oinofyta Industrial Zone, Lakka Pappa Place, Viotia.  
T: +30 22620 31230. E: [info@tsamouris.gr](mailto:info@tsamouris.gr)

[tsamourisfast.com](http://tsamourisfast.com)







## committed to offer

Tsamouris – Douzoglou SA was founded in 1959 in Athens. It is the first company in Greece specialized in trading and distribution of screws, bolts and fasteners. Our headquarters are located near the center of Athens in Tavros district, while our modern logistics and distribution center that opened in 2008, is in the Industrial Area of Oinofita in Viotia region, about 56 km north of Athens, covering a total area of 5,500 sq.m.

The company currently employs 56 employees. It has one of the largest distribution networks in the country and implements one of the most modern electronic systems on the market, for immediate order preparation and fast deliveries throughout Greece and abroad.

We Started in 1959 /  
We distribute more  
than 25.000 products /  
We serve more than  
200 customers daily



We are in Greece,  
Middle East and the Balkans /  
We employ 56 staff members /  
We have ISO 9001: 2015 certification

# committed to excellence

[tsamourisfast.com](https://tsamourisfast.com)

With one of the biggest product ranges in Europe (over 25,000 articles) and significant stock levels, we serve a large number of customers daily in Greece and Balkan countries. The company is ISO 9001: 2015 certified for its processes and services, offers high quality products from major well-respected manufacturers around the world and provides excellent online services through its website.



## in a few words

### 60 years of presence in the market

We are the biggest trading company in bolts, screws, and fasteners in Greece.

### We work with all industries

We offer products and services adapted to different sectors and industries.

### 2 distribution centers

12 Archimidous street,  
Tauros, Athens.

Oinofyta Industrial Area,  
Position: Lakka Papa, Voiotia.

### We know fasteners

We use the most sophisticated and technologically advanced systems. We have remarkable “know-how” in our field. We constantly upgrade ourselves.

### We provide quality

Our annual turnover based exclusively on sales of screws, bolts and fasteners, is close to 7 million euros. This means high quality products and services / high customer satisfaction rates.

## we aim high

### Mission

Our mission is very simple:  
“Keep all our customers satisfied  
by providing quality products  
at competitive prices and  
excellent service”.

### Vision

Our vision is equally simple:  
“We want to become the biggest  
fastener distributor in South-East Europe.”



## products and services

### Consulting

We assist and guide our customers in selecting the right product for their needs. We are always by their side, providing technical support and advice.

### Quality control

We constantly perform thorough and detailed tests to check the quality of our products. We are confident in what we sell.

### Fast deliveries

We deliver all over Greece in maximum 48 hours. We deliver to other countries within a few days from order confirmation.



More than 25.000 different articles of bolts, screws and fasteners are always available. We are a “one-stop” supplier.





## how we succeed

### Large stock

More than 25.000 articles in stock, each one in significant quantities ready to be shipped, constant products availability throughout the year.

### We serve industry and construction

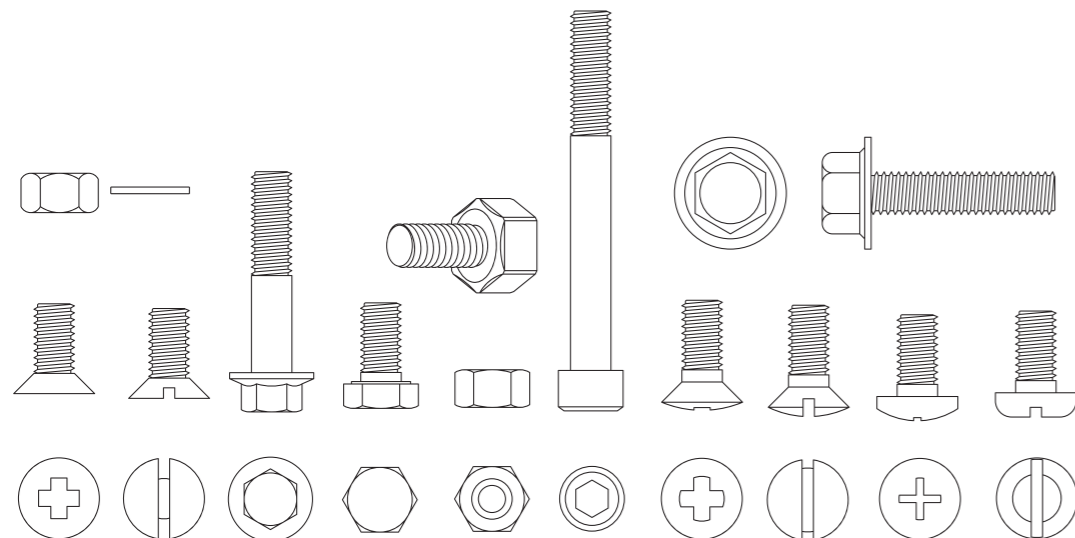
Direct sales cover more than 75% of the Greek and Cypriot sectors of industry and construction.

### Consistency on our products

We are specialized in screws, bolts, and fasteners. We don't sell anything else. We truly are the fastener specialists.

### Since the 60's

Traditional strong relationships with the domestic market since 1959.



## we are chosen by the professionals

Among our 3.000 clients, are included some of the most important Greek and foreign industries with global presence, hundreds of smaller enterprises, as well as hardware and industrial retail stores in Greece and Balkan countries.

we are trusted by

**Viohalco SA**

**Mytilinaios**

**Terna**

**Actor**

**Intrakat**

**Alumil**

**Doppler**

**Imerys**

**Liaromatis**

**Olympia Electronics**

**Spanopoulos Group**

**Lykomitros Steel**

**Vemekep SA**

**Raycap**

**Metron**





## certified quality

Tsamouris – Douzoglou SA has been recognized and awarded by ICAP GROUP, as one of the “Strongest companies in Greece”. We obtained the ISO 9001:2015 certification, offering to our customers reliability and quality guarantee.

## our people



## make the difference

There are not many companies in Greece that focus exclusively on bolts, screws, and fasteners like us. ● No other company in the country has the knowledge and the facilities to trade and distribute such amounts of bolts and screws. -it's not an “easy game”. ● Our modern systems and our expertise offer high speed and precision in handling big quantities of bolts, screws and fasteners, while minimizing the possibility of errors. ● We offer exceptionally focused services. We like keeping our customers pleased.

1959 ————— today

## our history

# 1959

### Our Company is Founded

A small store (50 sq. m) in Monastiraki area, at the center of Athens, starts selling screws and bolts.

Personnel 3 people.



# 2008

### New Privately Owned Distribution Center

A new privately owned distribution center of 5.500 sq. m is established in Oinofyta Industrial Area, Viotia region. A new WMS software is implemented.

Personnel 30 people

# 2009

### New Website and Webshop Platform

Our new website and web shop are launched at [www.tsamouris.gr](http://www.tsamouris.gr)



# 2010

### Launch of organized sales department

A sales department is created for the industrial, construction, and retail sectors.

Sales force: 6 people



# 2011

### ISO Certificate

The company is certified to ISO 9001:2008 for its products, procedures, and services.



# 2015

### Export Sales

The company starts its export activity with sales in Cyprus, placing a local sales representative in the country. Expansion to Balkans will follow during 2016 - 2017.



# 2020

### Office in Albania

Our new office in Albania is established. Active sales start in the country.



# 2020

### New Advanced System of Storage Management

A brand new -unique in the domestic market- advanced system of storage management is implemented, especially configured for "bolts and fasteners" companies.

# 2022

### New Global Eshop at [Tsamourisfast.com](http://Tsamourisfast.com)

A new, modern, sophisticated website\eshop is launched. Our export department expands its activities.